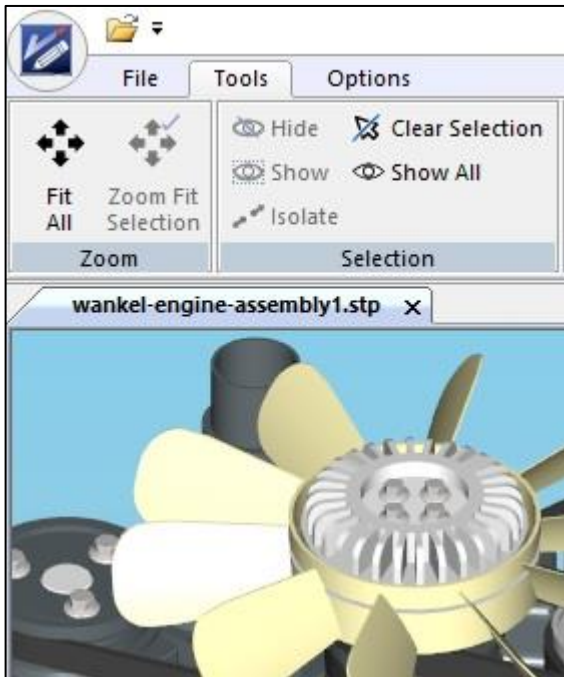


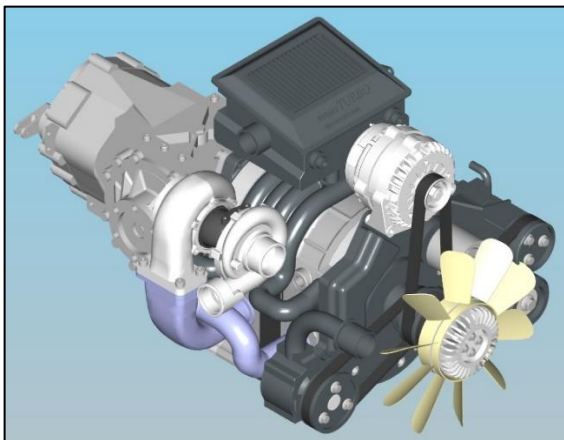
**VizEx Edit 3D** is the new extension to our leading 2D illustration system. If you have access to 3D models you can easily convert them to 2D CGM standards compliant files (S1000D and ATA). Additionally, export to all the VizEx Edit 2D formats, including SVG.

### How does it work:

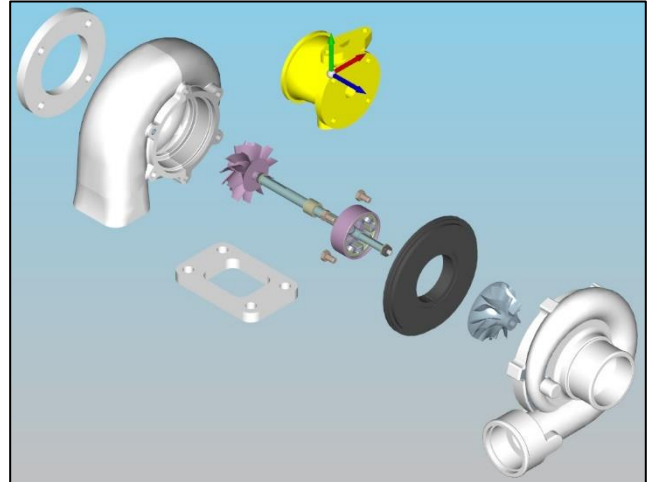
1. Open the STEP or IGES CAD file in VizEx Edit 3D.



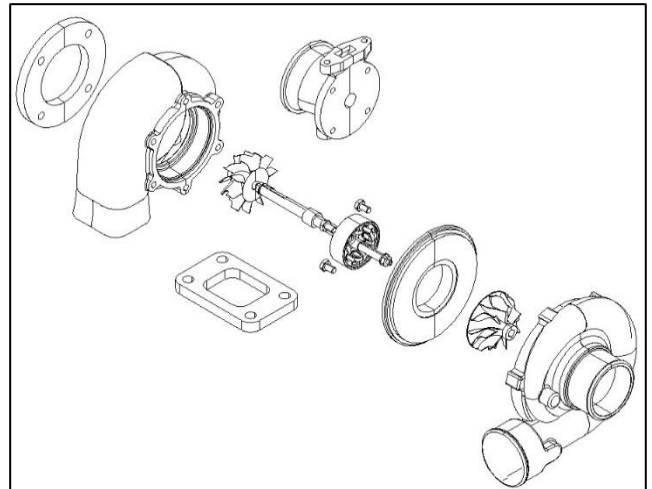
2. Manipulate the model to the required view, in this example isometric.



3. Isolate an assembly or sub-assembly and explode the parts.



4. Convert with hidden line removal. Save as a 2D CGM S1000D/ATA illustration.



VizEx Edit 3D is a highly productive technical illustration creation tool. Visit the Larson website and evaluate today.

#### Input:

STEP and IGES

#### Output:

CGM, JPEG, PNG, BMP.

**Version types:** Desktop & Network

**License type:** Subscription